



Optional hydraulic breaker arm with hammer



Available in 3 versions, the UJ440i is versatile, extremely reliable and offers superior rates of production.

UJ440i CLASSIC

- With grizzly feeder and live under screen
- For use on unclean rock and gravel with high fines content

UJ440i COMFORT

- With grizzly feeder and integrated screen deck
- For use on rock and gravel



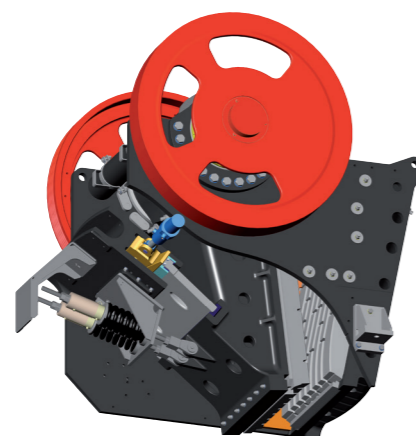
UJ440i TREND

- With pan feeder and live pre screen
- For use on unclean rock and gravel with high fines content



CJ412 JAW

- Very rigid casted mainframe and swing jaw
- Jaw plates can be rotated and are interchangeable
- Cheek plates for protection of side plates in two parts
- Wear plate protects the front frame end
- Intermediate plate protects the swing jaw
- Lubrication free toggle plate
- Heavy duty bearing assembly to ensure the longest life expectancy
- Shaft line assembly, the heart of the swing jaw, has been designed for durability and to withstand the toughest working conditions
- Fully hydraulic adjustable jaw setting

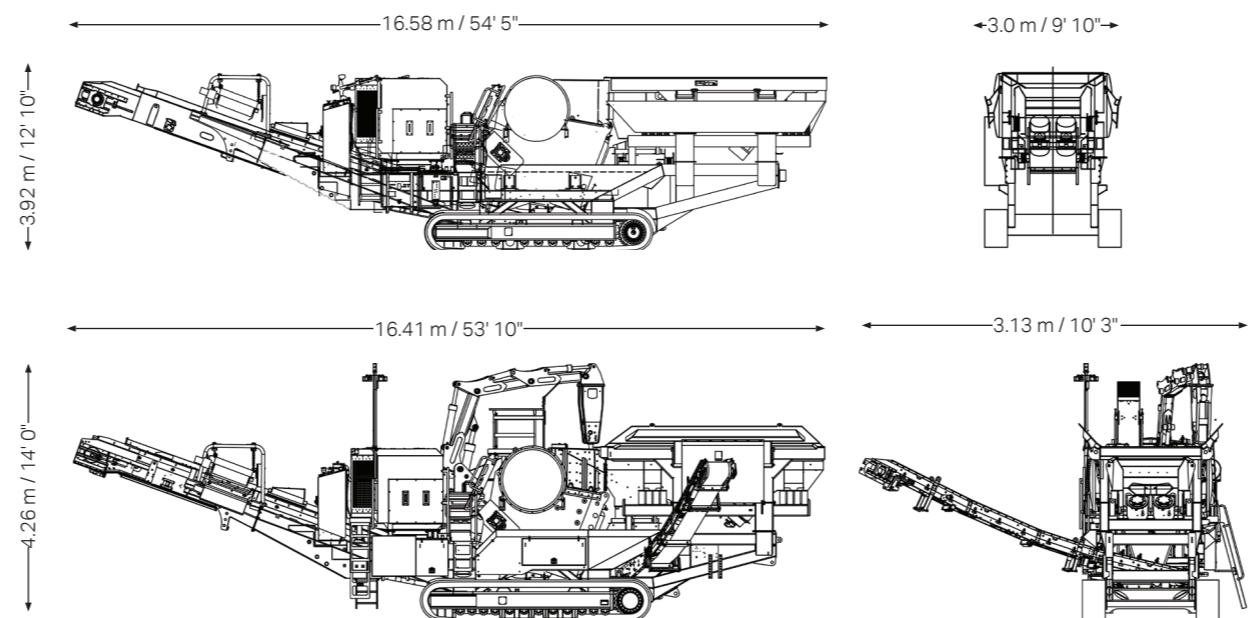


TECHNICAL SPECIFICATIONS

KEY SPECIFICATIONS	DATA
Crusher type	Single toggle – CJ412
Feed opening	1200 mm x 830 mm / 47" x 33"
Speed	240 rpm
CSS range	100 - 275 mm / 4" - 11"
Drive	Direct via V belts
Adjustment type	Hydraulic wedge

KEY SPECIFICATIONS	DATA
Powerpack	
Engine	Volvo D13 Stage 2 / Tier 2 Volvo D13 Tier 4 Final
Engine power	315 kW / 422 hp
Diesel tank capacity	1125 litres / 297 USG
Hydraulic tank capacity	415 litres / 110 USG

Note. All weights and dimensions are for standard units only.



Weight Classic 63,000 kg / 138,890 lbs

Classic

Transport dimensions	16.58 m / 54' 5" (l) 3.0 m / 9' 10" (w) 3.92 m / 12' 10" (h)
Working dimensions	16.41 m / 53' 10" (l) 3.13 m / 10' 3" (w) 4.26 m / 14' 0" (h)

Weight Classic 63,000 kg / 138,890 lbs

Comfort

Transport dimensions	16.58 m / 54' 5" (l) 3.0 m / 9' 10" (w) 3.92 m / 12' 10" (h)
Working dimensions	16.41 m / 53' 10" (l) 3.13 m / 10' 3" (w) 4.26 m / 14' 0" (h)

Weight Comfort 63,000 kg / 138,890 lbs

Trend

Transport dimensions	17.93 m / 58' 10" (l) 3.0 m / 9' 10" (w) 3.92 m / 12' 10" (h)
Working dimensions	17.75 m / 58' 3" (l) 3.70 m / 12' 2" (w) 4.95 m / 16' 3" (h)

Weight Trend 74,000 kg / 163,142 lbs



SANDVIK UJ440i JAW CRUSHER

WORLD LEADING JAW CRUSHER



BR-463 ENG © Sandvik Mining and Rock Technology 2020 SANDVIK is a registered trademark owned by Sandvik Intellectual Property AB in Sweden and other countries. Subject to change without notice.